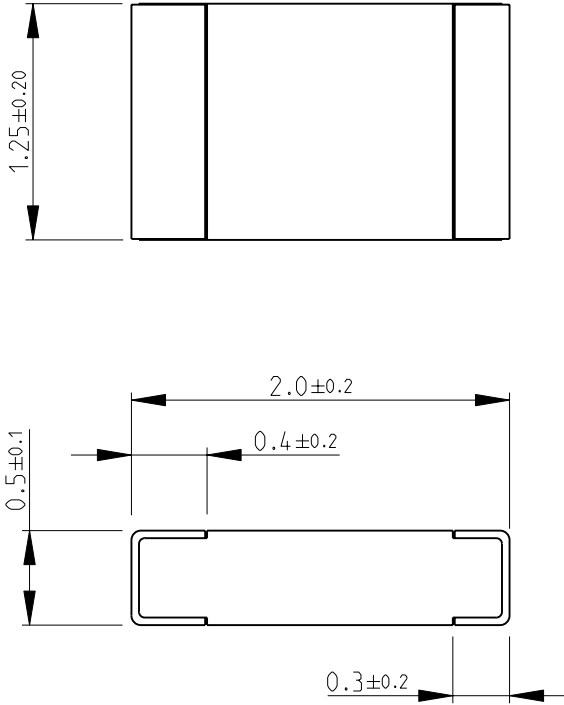
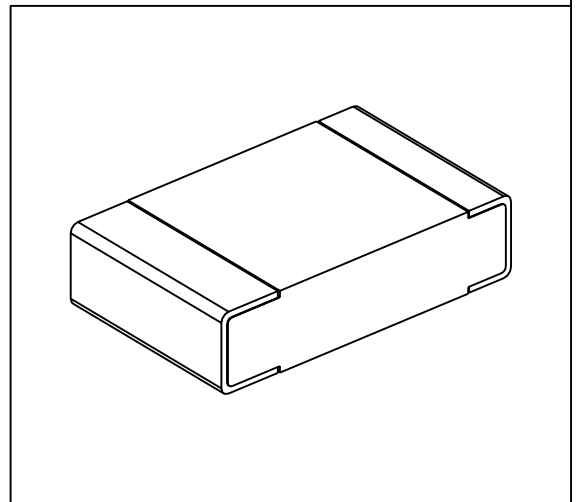


|     |      |           |     |                      |           |     |      |
|-----|------|-----------|-----|----------------------|-----------|-----|------|
| LOC | DIST | REVISIONS |     |                      |           |     |      |
| E   | B    | P         | LTR | DESCRIPTION          | DATE      | DWN | APVD |
|     |      | BA1       |     | AS PER ECR-09-006166 | 17-MAR-09 | SM  | JC   |

FOR FURTHER INFORMATION SEE DATA SHEET FOR  
CPF SERIES-THIN FILM PRECISION CHIP RESISTORS



RoHS Compliant



2008

RELEASED FOR PUBLICATION

THIS DRAWING IS UNPUBLISHED.

BY TYCO ELECTRONICS CORPORATION. ALL RIGHTS RESERVED.



|  |                  |           |                  |  |             |               |     |
|--|------------------|-----------|------------------|--|-------------|---------------|-----|
| DIMENSIONS:<br>mm                      | DWN              | SUBHASH.M | 22-Sep-08        | MATERIAL   | -           | FINISH        | -   |
|  | CHK              | PRAKASH.S | 22-Sep-08        | Tyco Electronics Corporation<br>Dorcan, Swindon, SN3 5HH |             |               |     |
| TOLERANCES UNLESS OTHERWISE SPECIFIED: | APVD             | STEPHEN.P | 22-Sep-08        |  |             |               |     |
| 0 PLC ±0.2                             | PRODUCT SPEC     | -         | NAME             | THIN FILM PRECISION CHIP RESISTORS<br>SERIES CPF 0805    |             |               |     |
| 1 PLC ±0.1                             | APPLICATION SPEC | -         | SIZE             | CAGE CODE  | DRAWING NO  | RESTRICTED TO |     |
| 2 PLC ±-                               | WEIGHT           | -         | A 4              | 00779  | © = 1614885 | -             |     |
| 3 PLC ±-                               |                  |           | CUSTOMER DRAWING |  |             |               |     |
| 4 PLC ±-                               |                  |           | SCALE            | 25:1   | SHEET       | 1 OF 1        | REV |
| ANGLES ±5°                             |                  |           |                  |  |             |               | BA1 |

